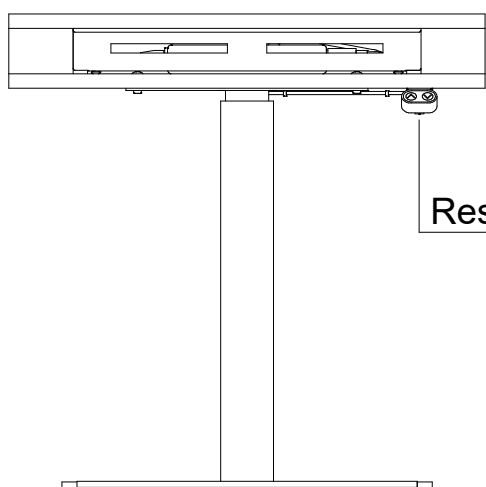
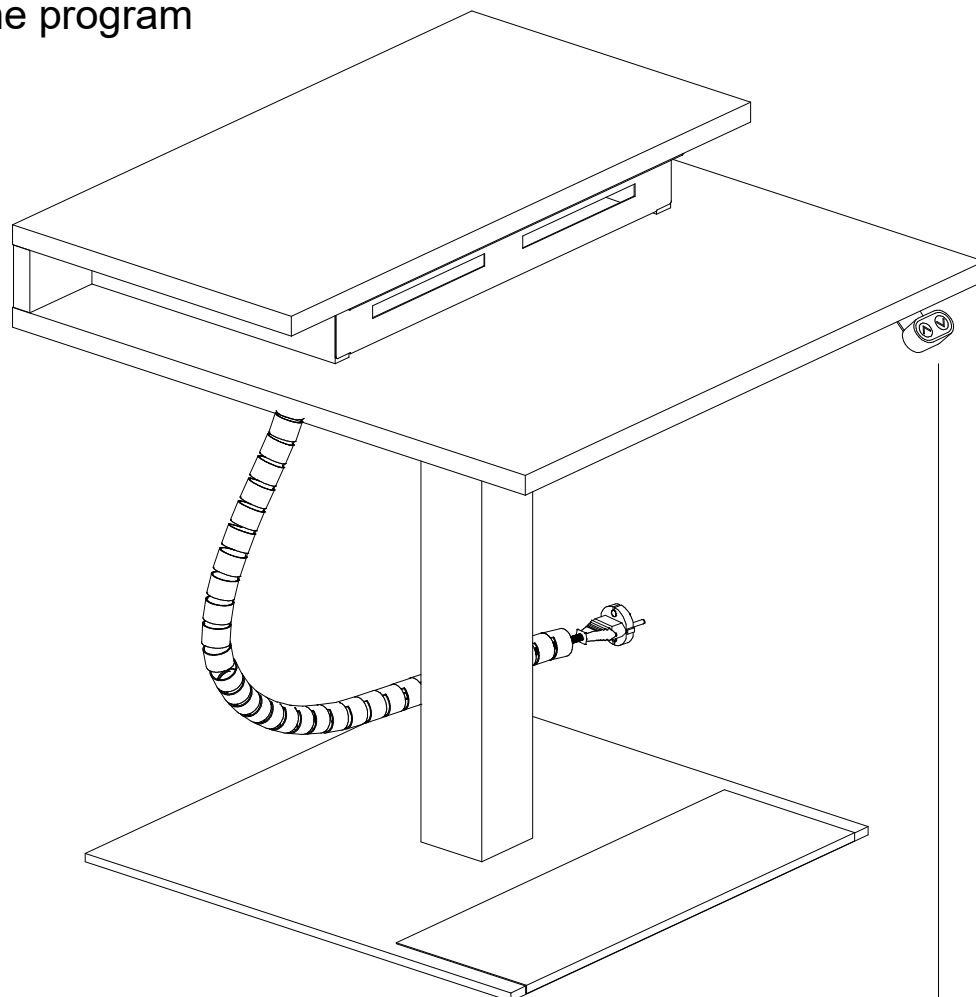
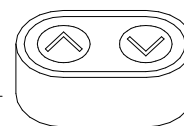




Resetting the program



Resetting the program



- Press the  button until the Electro OPAC is in bottom position.
- Release button.
- Press the  button again (4-5 sec.)
- Then release the button again.
- The Electro OPAC is now reset.