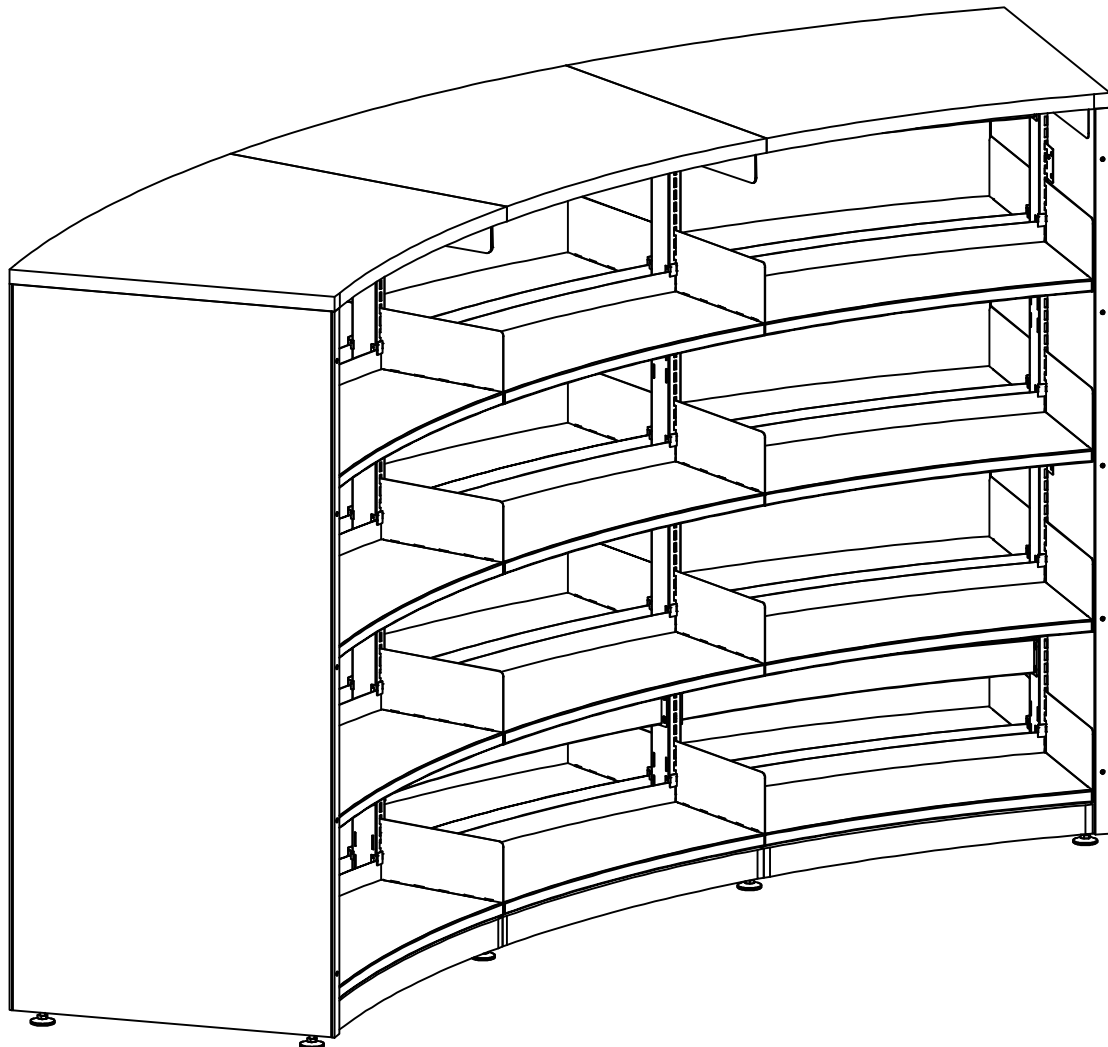


# Assembly Guide

## 60/30 Round steel shelving With London top shelf and end panels

This is an assembly guide for a 3 bay shelving.  
Is is possible to connect even more bays, so the shelving may meet the required length.



2017.11

First check the contents to make sure that nothing is missing. Sort out the screws and fittings as shown.  
Assemble your furniture step by step, as shown in the illustrations.

## Index

Page.	Description
1.	Front page
2.	Index
3.	Part overview
4.	Shelving assembly
5.	Kickplate
6.	Top shelf and end panel brackets
7.	End panel
8.	Top shelf assembly
9.	Top shelf mount
10.	Brackets for shelves
11.	Shelves
12.	Safety clips
13.	Complete

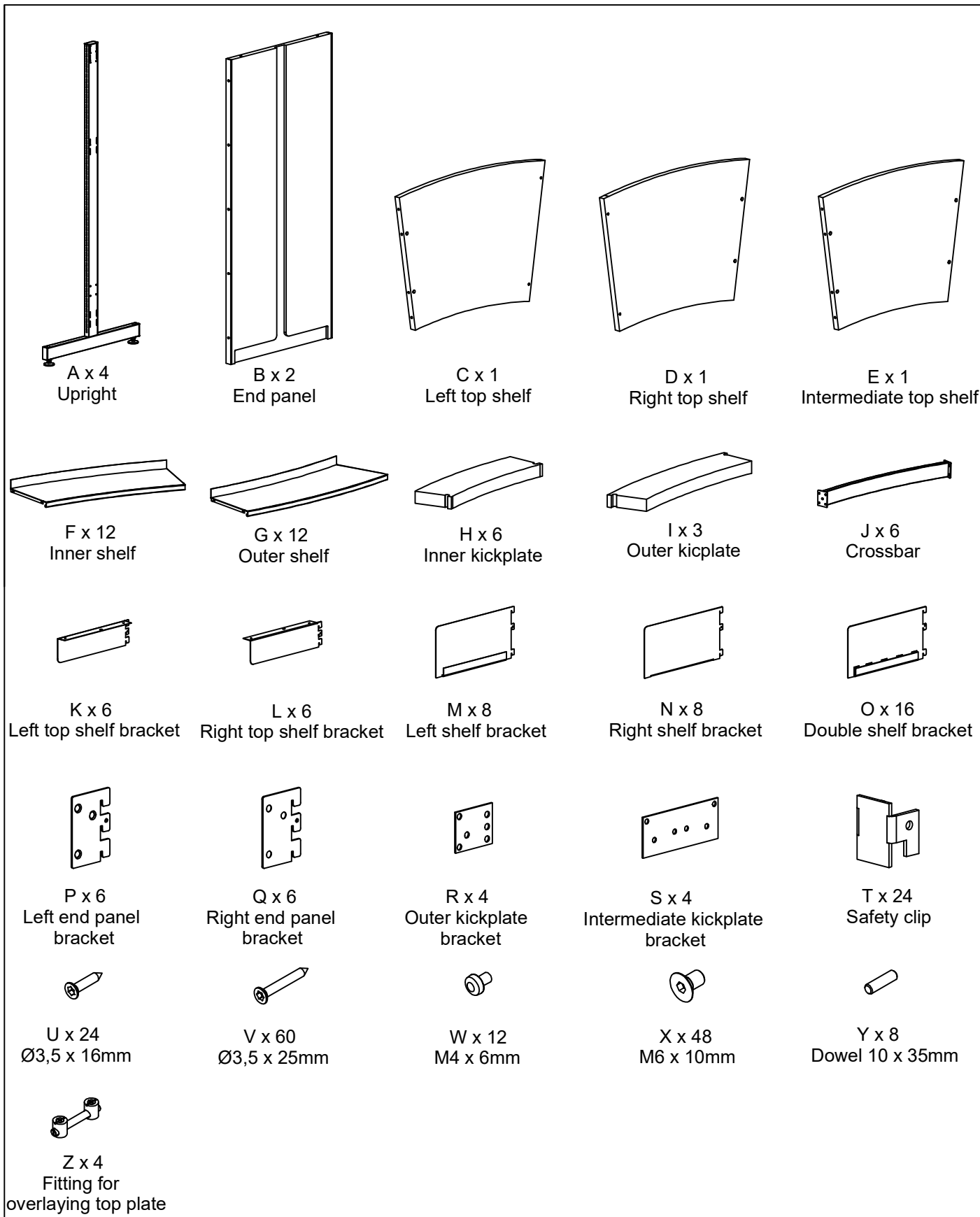
**Important!!**

Do not use power tools for assembly

# Assembly Guide

For 60/30 Classis steel shelving

## 1: Part overview

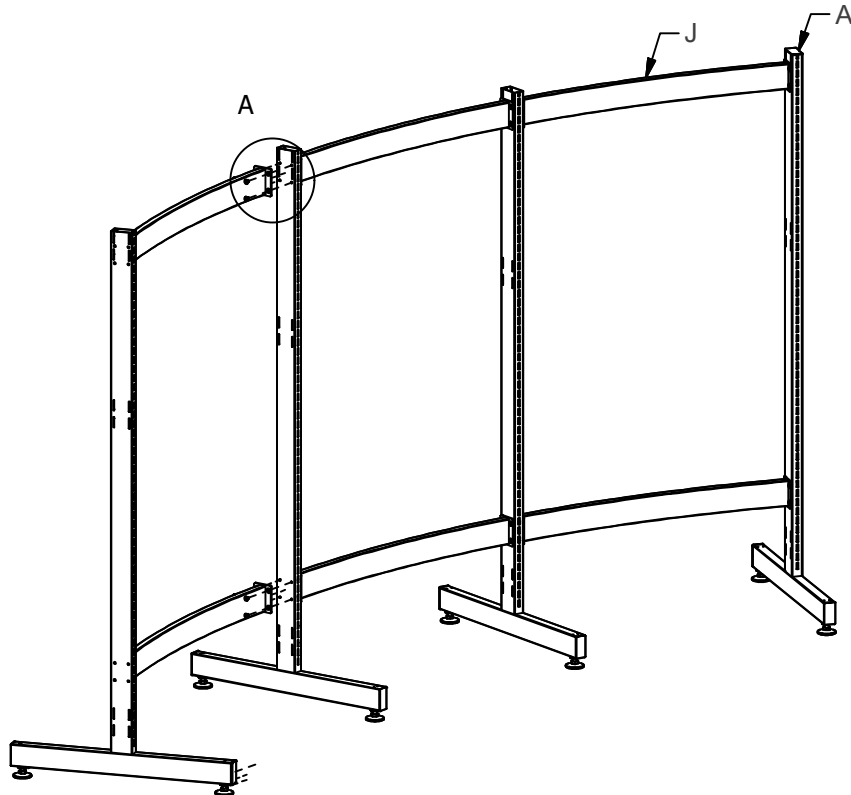


## 2: Shelving assembly

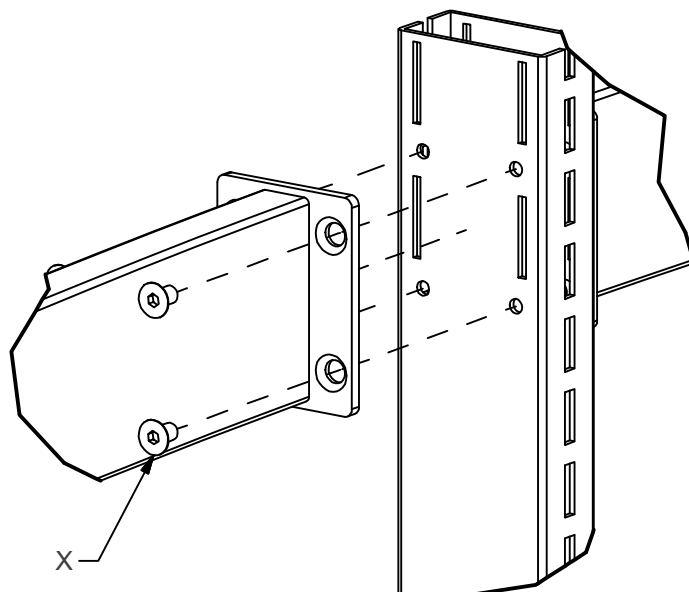
- 2.1: Assemble uprights with crossbars.  
Do NOT tighten the screws.
- 2.2: Level the shelving using the adjustable feet.

### Parts List

PART	QTY	DESCRIPTION
A	4	Upright
J	6	Crossbar
X	48	M6 x 10mm



A ( 1 : 2,5 )

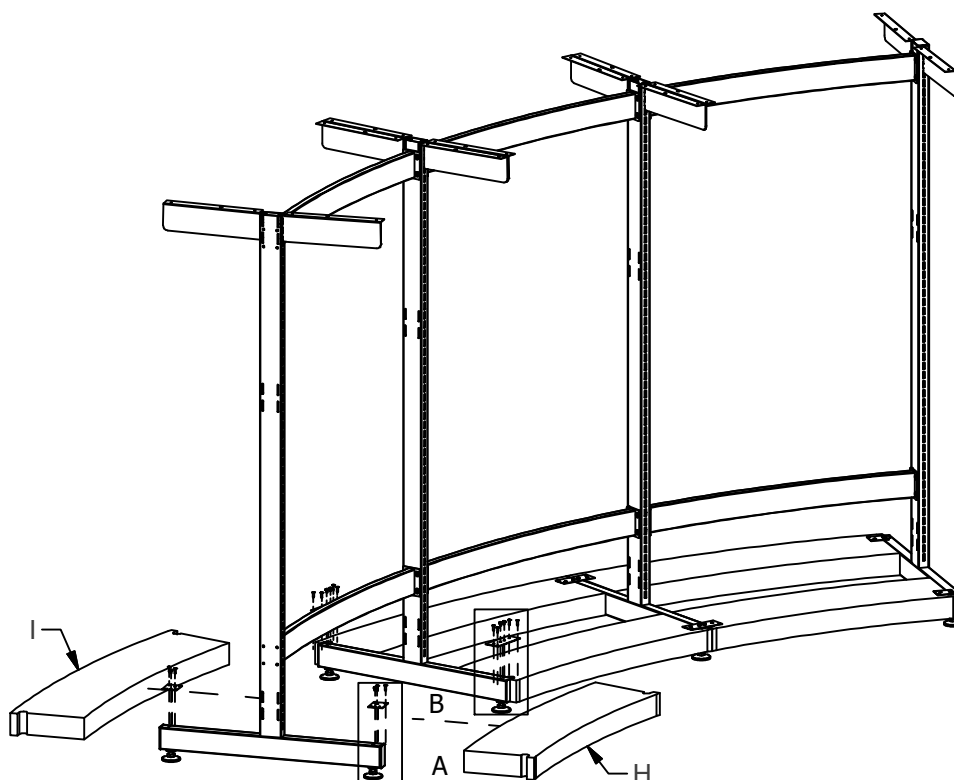


## 3: Kickplate

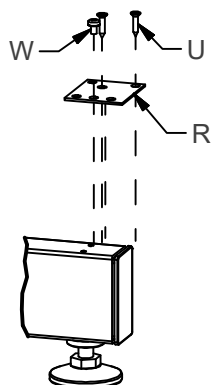
- 3.1: Mount the brackets to uprights using screw W.
- 3.2: Mount kickplates onto brackets using screw U.

### Parts List

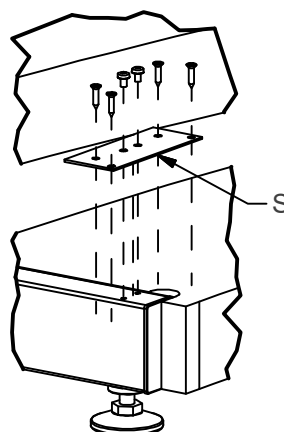
PART	QTY	DESCRIPTION
H	3	Inner kickplate
I	3	Outer kickplate
R	4	Outer kickplate bracket
S	4	Intermediate kickplate bracket
U	24	Ø3,5 x 16mm
W	12	M4 x 6mm



A (1:5)



B (1:5)

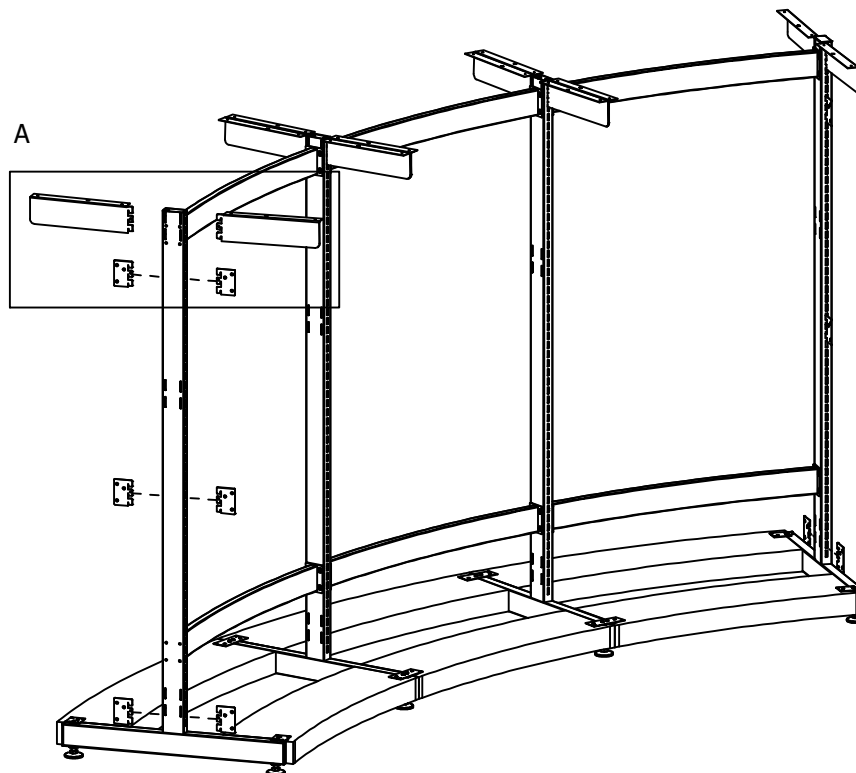


## 4: Top shelf and end panel brackets

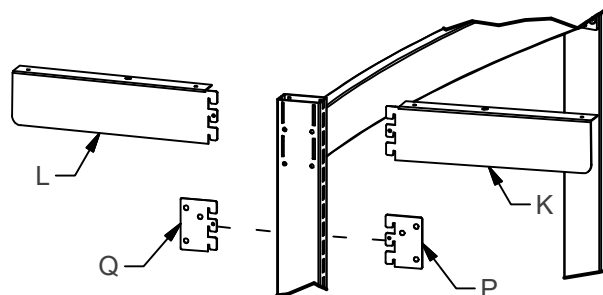
- 4.1: Fix top shelf brackets and end panel bracket to outer uprights.  
 4.2: For intermediate uprights. Use 1 x K and 1 x L for each side.

### Parts List

PART	QTY	DESCRIPTION
K	6	Left top shelf bracket
L	6	Right top shelf bracket
P	6	Left end panel bracket
Q	6	Right end panel bracket



A ( 1 : 10 )

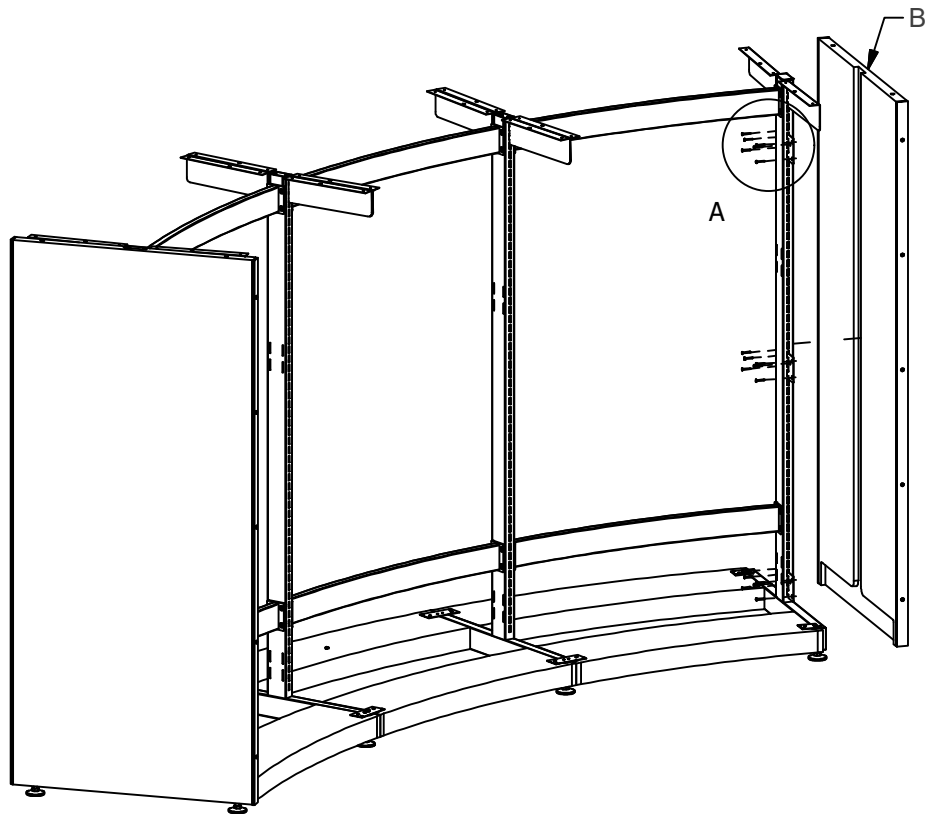


## 5: End panel

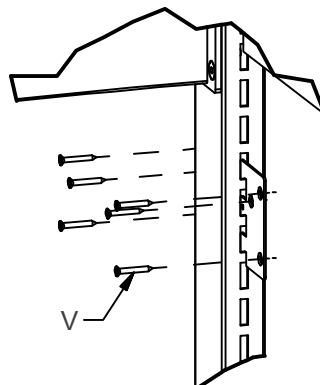
5.1: Mount end panel flush with top shelf brackets.

### Parts List

PART	QTY	DESCRIPTION
B	2	End panel
V	36	Ø3,5 x 25mm



A (1:5)



## 6: Overlaying top plate assembly

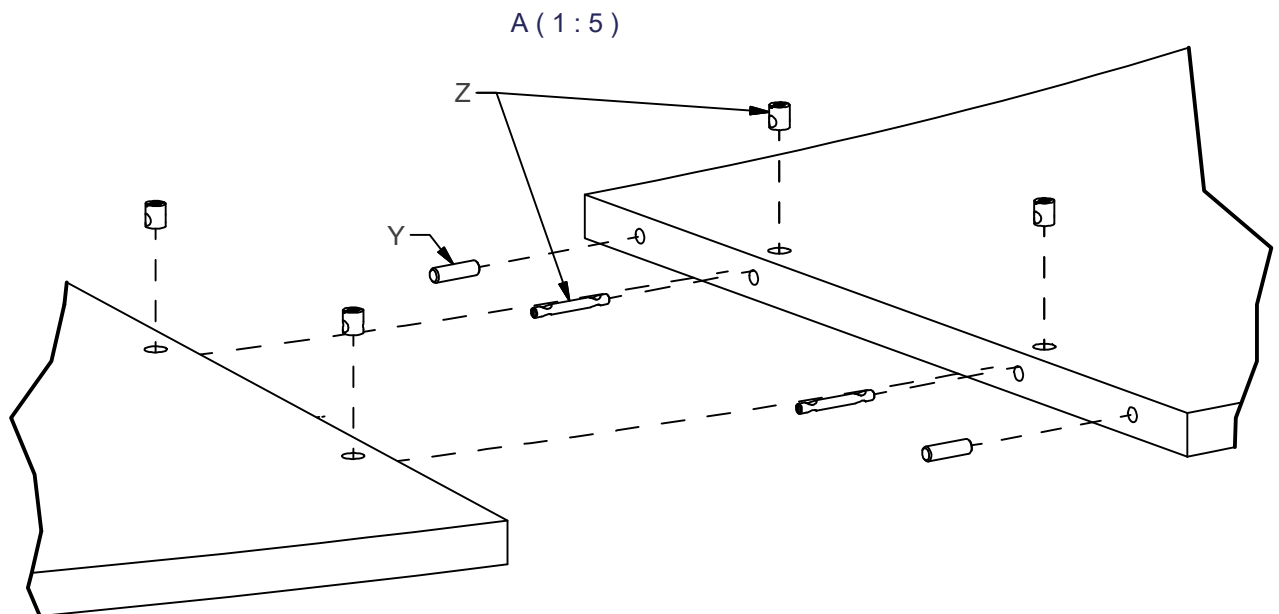
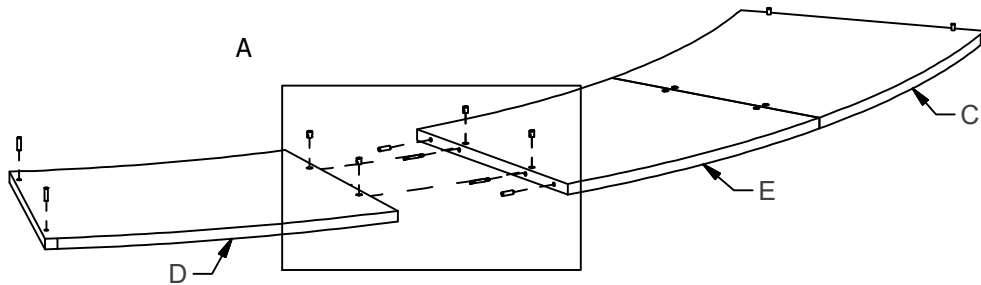
- 5.1: Put dowels and fittings for top shelf into the intermediate top shelf.
- 5.2: Connect left top shelf and right top shelf to the intermediate top shelf and tighten.

Notice!

It is necessary to support the assembled top shelf in both ends and middle when lifting into place.

### Parts List

PART	QTY	DESCRIPTION
C	1	Left top shelf
D	1	Right top shelf
E	1	Intermediate top shelf
Y	8	Dowel 10 x 35mm
Z	4	Fittings for top shelf



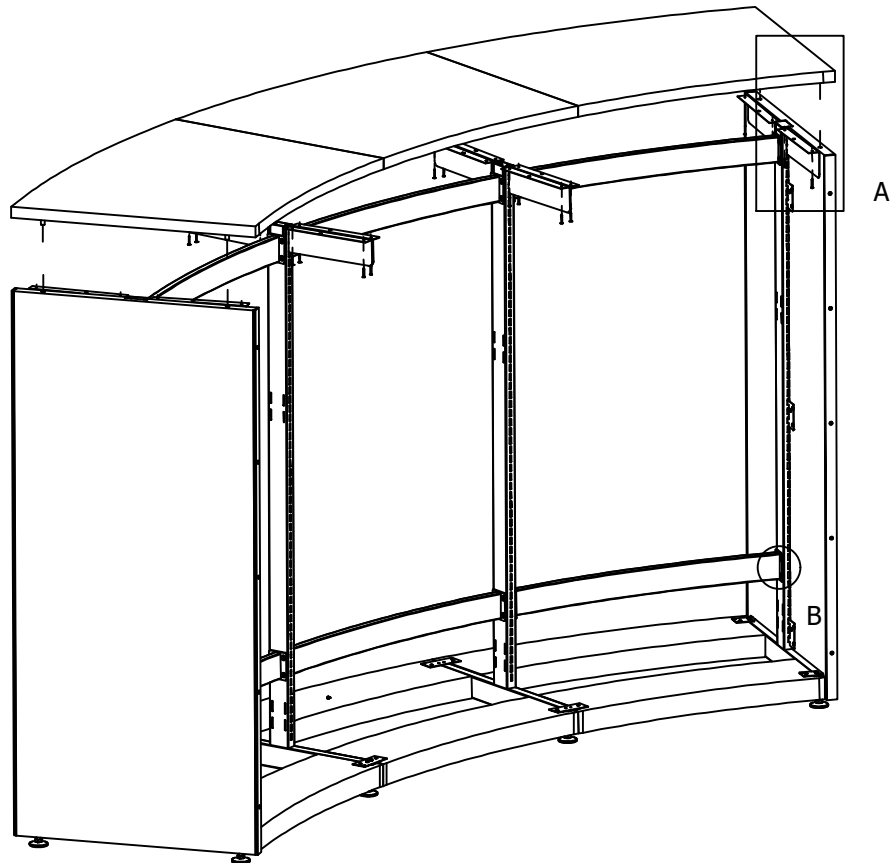


## 7: Top shelf mount

- 7.1: Mount the assembled top shelf.  
 7.2: Now tighten up the M6 x 10mm on the crossbar.  
 ( See picture B)

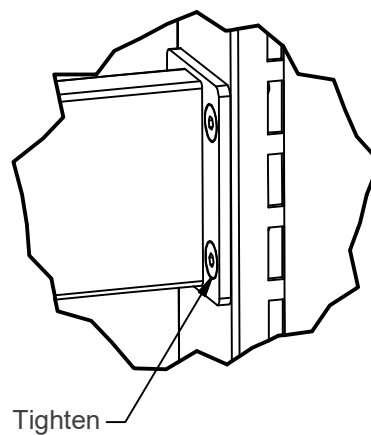
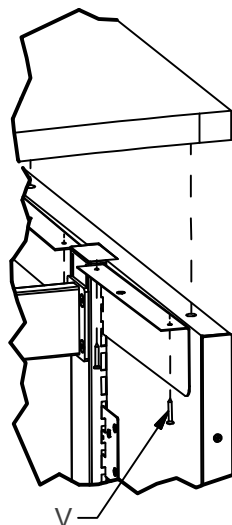
### Parts List

PART	QTY	DESCRIPTION
V	24	Ø3,5 x 25mm



A ( 1 : 7,5 )

B ( 1 : 2,5 )

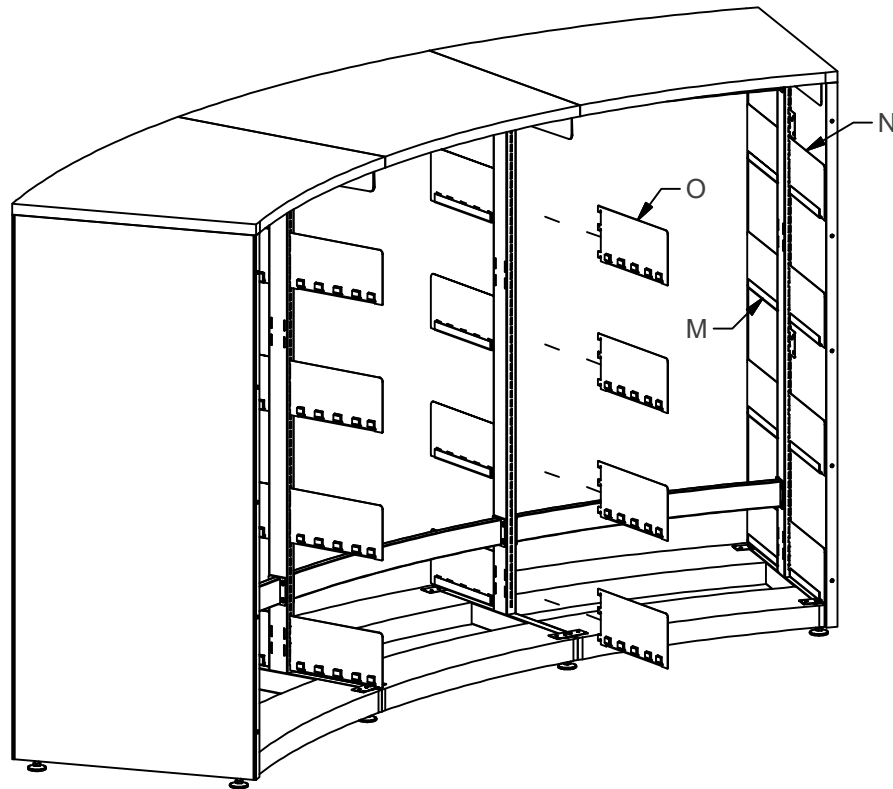


## 8: Brackets for shelves

8.1: Mount brackets for shelves onto uprights.

### Parts List

PART	QTY	DESCRIPTION
M	8	Left shelf bracket
N	8	Right shelf bracket
O	16	Double shelf bracket

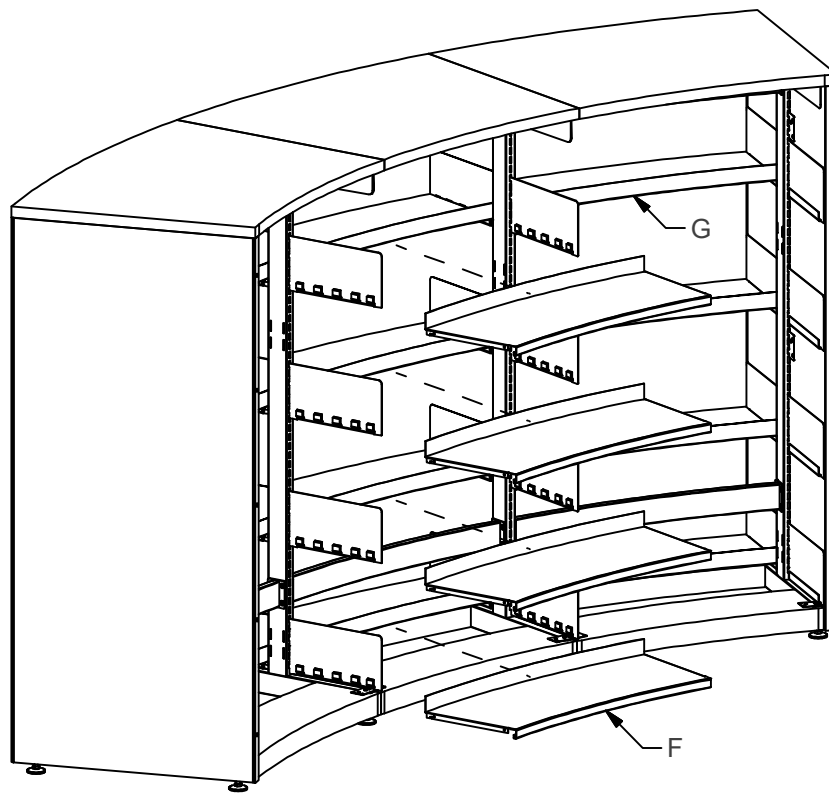


## 9: Shelves

9.1: Add shelves to brackets.

### Parts List

PART	QTY	DESCRIPTION
F	12	Inner shelf
G	12	Outer shelf

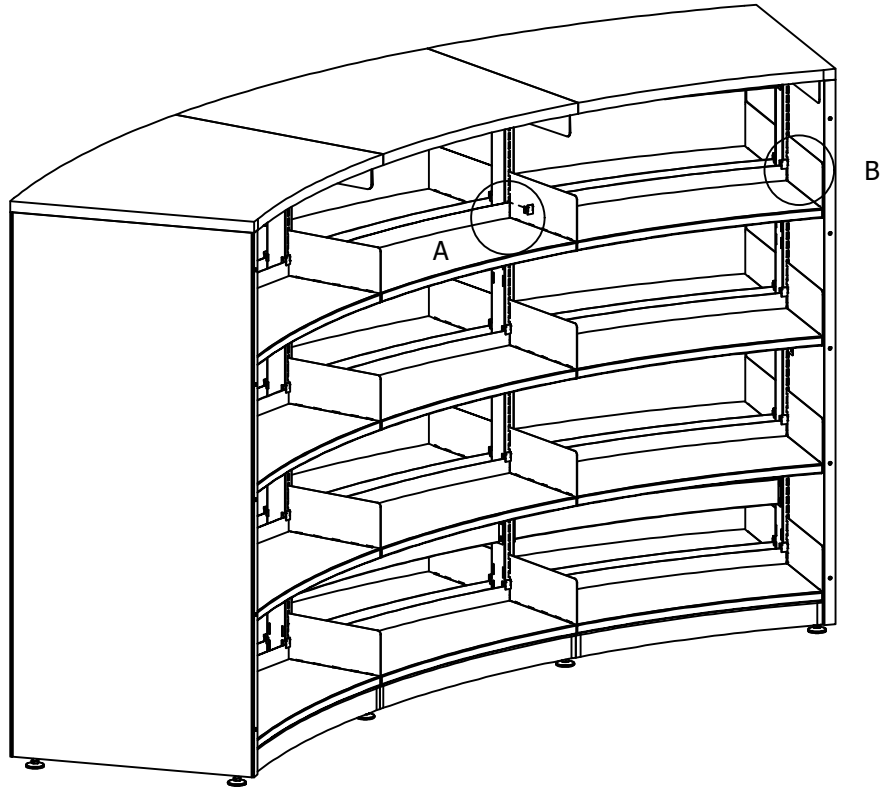


## 10: Safety clips

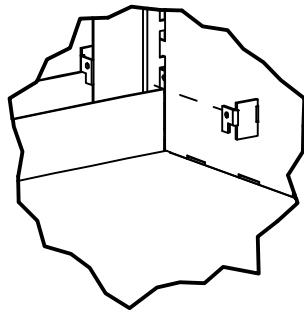
10.1: Insert safety clips on all shelves.

### Parts List

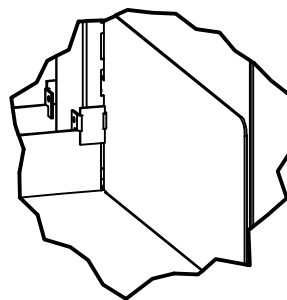
PART	QTY	DESCRIPTION
T	24	Safety clip



A (1:5)



B (1:5)



## 11: Complete

